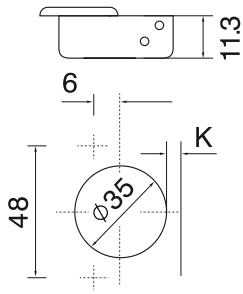


# Soft Close Hinge

Hinge Cup



Application instructions for 35mm hinge

H = Height of mounting plate

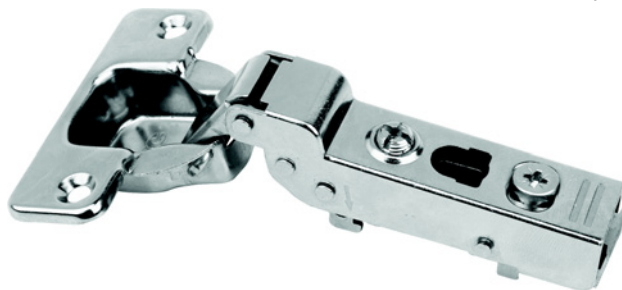
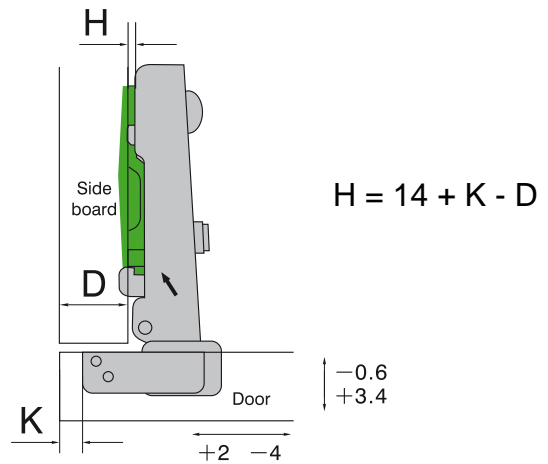
D = Required door overlay

K = Drilling distance from edge of door to edge of hole

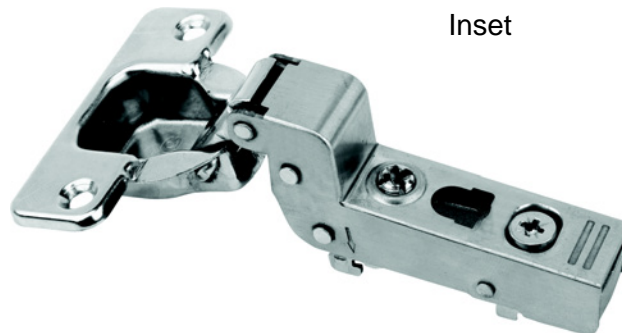
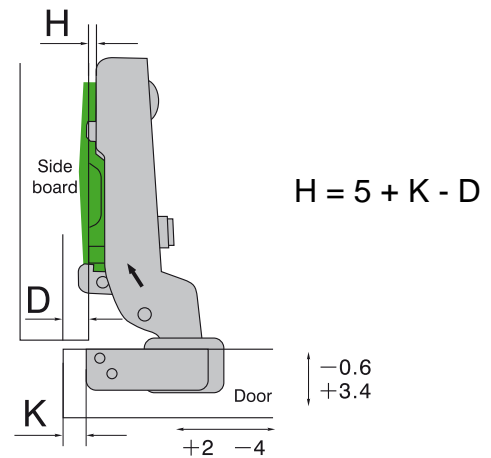
A = Gap between door and side board



Full Overlay



Half Overlay



Inset

